

# Novactive™

## The closure which works for you

2 assembled parts

Aseptic  
Improved hygiene

Fixed opened  
position

Click

**NOVEMBAL**  
a Tetra Pak company

# Novactive™

Novactive™ is the new sport cap in two parts with a hinge from Novembal.



It combines the characteristics of **hygiene**, **ergonomics** and **safety** that the consumers want.

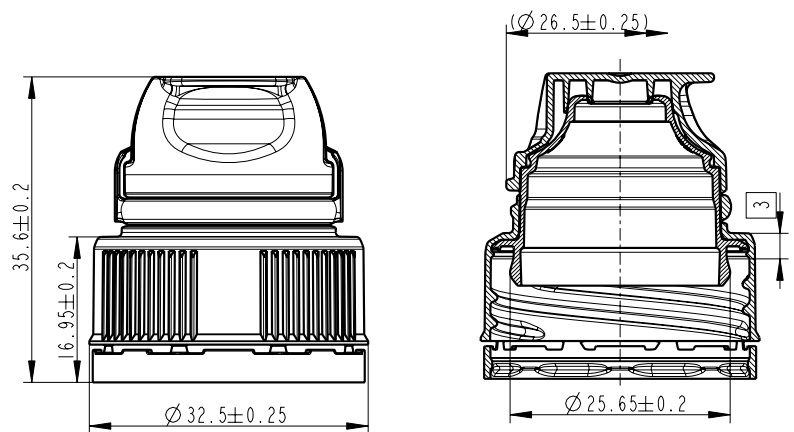
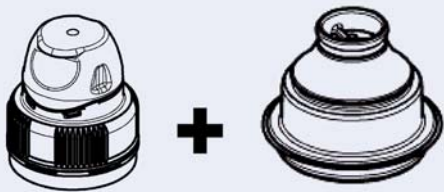
**Its modern design and attractive appearance** can be enhanced by the use of two different colours that offers an additional benefit for your product differentiation.

**Many years of experience** supplying sports caps for the flat water industry led Novembal to develop Novactive™. Novembal designed the Novactive™ to be used on aseptic lines. Changing to Novactive™ on bottling lines is easily achieved.



## Design features

Material organoleptic HDPE  
2 part construction  
Sport cap closure with spout and hinges  
Neck ring is standard 30/25 High, adaptable on low neck  
No slip additive used  
Sealed using an olive lip  
Mono or bi color



A solution validated on line with our major European customers.

Contact our specialists to study the adaptation of your lines to this new closing solution, which is more friendly and ecological

**NOVEMBAL**  
a Tetra Pak company

58, RN6 - Les Chères - BP 29 - 69480 Anse  
Tél. : +33 4 72 54 96 00

infonovembal@novembal.tetrapak.com - www.novembal.com