

Novaqua 29.4



Nothing changes



and that changes everything!

30%
material
savings

NOVEMBAL
a Tetra Pak company

Novaqua 29.4

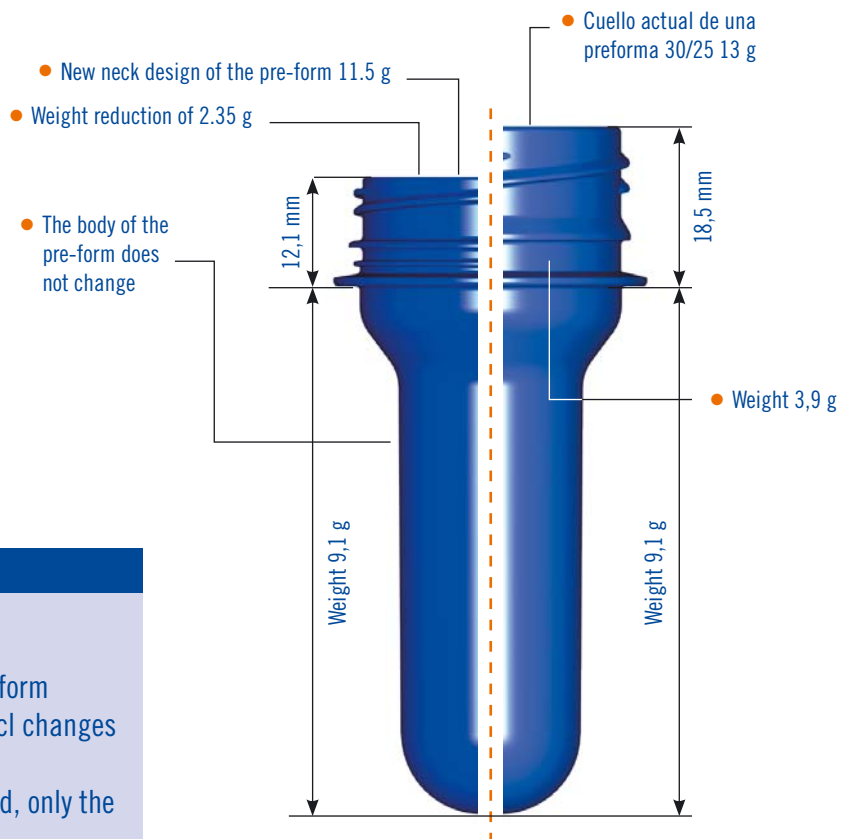
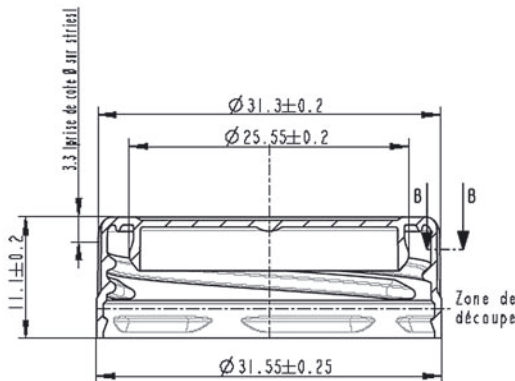
The bottlers cope with 2 constraints

- It is difficult to change bottling lines for a new closure due to the high associated costs and previous investments
- Bottlers want to reduce the weight of packaging (for economic and ecological reasons) without changing the practices of the consumers



A new approach: Novaqua 29.4

- The neck of the pre-form is based on the standard 30/25: the body of the pre-form does not change, only the neck is modified slightly, minor modifications to the line.
- A new closure designed for this new neck, by Novemba's engineering and design department, universally known as a specialist in mineral water.



Technical details

Pre-form

- 11 to 12% reduction in weight on the pre-form
- For example, a pre-form for a bottle of 33 cl changes from 13 to 11.5 g
- The shape of the bottle remains unchanged, only the neck is modified

Closure

- 30% reduction in weight of the closure
- Novaqua 29.4 weights 1.45 g, compared to an average weight of 2g for a 30/25 traditional closure
- The change can not be perceived by the consumer

A solution validated on line with our major European customers.

Contact our specialists to study the adaptation of your lines to this new closing solution, which is more friendly and ecological.

NOVEMBAL
a Tetra Pak company

58, RN6 - Les Chères - BP 29 - 69480 Anse
Tél. : +33 4 72 54 96 00

infonovemba@novemba.tetrapak.com - www.novemba.com